

Y macho cónico orientable - RPY MR



Rosca macho BSPT

R 1/8

Para tubo Ø ext. (mm)

4

Presión de uso

0 a 10 bar

Temperatura

0°C a + 60°C

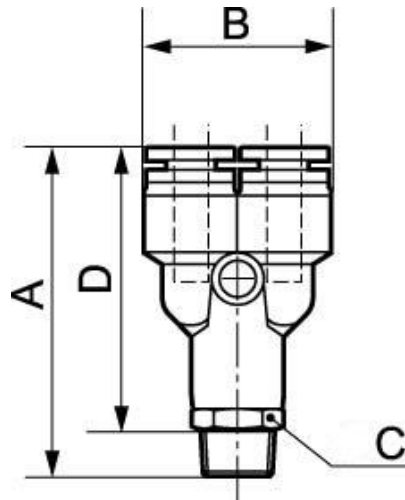
Material

Polímero y latón niquelado

Descripción

Referencia	Rosca macho BSPT	Para tubo Ø ext. (mm)
RPY MR0400	R 1/8	4
RPY MR0401	R 1/4	4
RPY MR0500	R 1/8	5
RPY MR0501	R 1/4	5
RPY MR0502	R 3/8	5
RPY MR0503	R 1/2	5

Referencia	Rosca macho BSPT	Para tubo Ø ext. (mm)
RPY MR0600	R 1/8	6
RPY MR0601	R 1/4	6
RPY MR0602	R 3/8	6
RPY MR0603	R 1/2	6
RPY MR0800	R 1/8	8
RPY MR0801	R 1/4	8
RPY MR0802	R 3/8	8
RPY MR0803	R 1/2	8
RPY MR1000	R 1/8	10
RPY MR1001	R 1/4	10
RPY MR1002	R 3/8	10
RPY MR1003	R 1/2	10
RPY MR1201	R 1/4	12
RPY MR1202	R 3/8	12
RPY MR1203	R 1/2	12
RPY MR1402	R 3/8	14
RPY MR1403	R 1/2	14
RPY MR1602	R 3/8	16
RPY MR1603	R 1/2	16



Dimensions

Referencia	A mm	B mm	C mm	D mm
RPY MR0400	41.5	20	10	34
RPY MR0401	43	20	14	34
RPY MR0500	44	25.6	12	36.5
RPY MR0501	45.5	25.6	14	36.5
RPY MR0502	48	25.6	17	37
RPY MR0503	50.5	25.6	21	37.5
RPY MR0600	44	25.6	12	36.5
RPY MR0601	45.5	25.6	14	36.5
RPY MR0602	48	25.6	17	37
RPY MR0603	50.5	25.6	21	37.5
RPY MR0800	44.3	27.6	14	36.8
RPY MR0801	45.8	27.6	14	36.8
RPY MR0802	48.3	27.6	17	37.3
RPY MR0803	50.8	27.6	21	37.8

Referencia	A mm	B mm	C mm	D mm
RPY MR1000	56.1	33.6	17	48.6
RPY MR1001	57.6	33.6	17	48.6
RPY MR1002	59.6	32.6	17	48.6
RPY MR1003	62.1	33.6	21	49.1
RPY MR1201	60.8	39.6	19	51.8
RPY MR1202	63.3	39.6	19	52.3
RPY MR1203	65.3	39.6	21	52.3
RPY MR1402	64.8	45.4	22	53.8
RPY MR1403	66.8	45.4	22	53.8
RPY MR1602	66.5	47.6	24	55.5
RPY MR1603	68.5	47.6	24	55.5