

Codo 135° macho cónico orientable - RPQ MR



Rosca macho BSPT

R 1/8

Para tubo Ø ext. (mm)

4

Presión de uso

0 a 10 bar

Temperatura

0°C a + 60°C

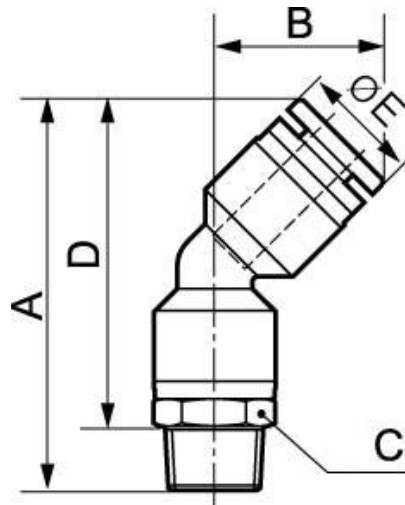
Material

Polímero y latón niquelado

Descripción

Referencia	Rosca macho BSPT	Para tubo Ø ext. (mm)
RPQ MR0400	R 1/8	4
RPQ MR0401	R 1/4	4
RPQ MR0500	R 1/8	5
RPQ MR0501	R 1/4	5
RPQ MR0502	R 3/8	5
RPQ MR0503	R 1/2	5
RPQ MR0600	R 1/8	6
RPQ MR0601	R 1/4	6

Referencia	Rosca macho BSPT	Para tubo Ø ext. (mm)
RPQ MR0602	R 3/8	6
RPQ MR0603	R 1/2	6
RPQ MR0800	R 1/8	8
RPQ MR0801	R 1/4	8
RPQ MR0802	R 3/8	8
RPQ MR0803	R 1/2	8
RPQ MR1000	R 1/8	10
RPQ MR1001	R 1/4	10
RPQ MR1002	R 3/8	10
RPQ MR1003	R 1/2	10
RPQ MR1201	R 1/4	12
RPQ MR1202	R 3/8	12
RPQ MR1203	R 1/2	12



Dimensions

Referencia	A mm	B mm	C mm	D mm	E mm
RPQ MR0400	39.4	14.5	10	31.9	10
RPQ MR0401	40.9	14.5	14	31.9	10
RPQ MR0500	43	16.5	12	35.5	12.8
RPQ MR0501	44.5	16.5	14	35.5	12.8
RPQ MR0502	47	16.5	17	36	12.8
RPQ MR0503	49.5	16.5	21	36.5	12.8
RPQ MR0600	43	16.5	12	35.5	12.8
RPQ MR0601	44.5	16.5	14	35.5	12.8
RPQ MR0602	47	16.5	17	36	12.8
RPQ MR0603	49.5	16.5	21	36.5	12.8
RPQ MR0800	46	19	14	38.5	13.8
RPQ MR0801	47.5	19	14	38.5	13.8
RPQ MR0802	50	19	17	39	13.8
RPQ MR0803	52.5	19	21	39.5	13.8

Referencia	A mm	B mm	C mm	D mm	E mm
RPQ MR1000	51.3	22	17	43.8	16.8
RPQ MR1001	52.8	22	17	43.8	16.8
RPQ MR1002	54.8	22	17	43.8	16.8
RPQ MR1003	57.3	22	21	44.3	16.8
RPQ MR1201	55.5	23	19	46.5	19.8
RPQ MR1202	58	23	19	47	19.8
RPQ MR1203	60	23	21	47	19.8