

## Regulador de caudal macho cilíndrico bidireccional con tuerca - RPV BG



### Rosca macho BSPP

G 1/8

### Para tubo Ø ext. (mm)

4

### Presión de uso

0 a 10 bar

### Temperatura

0°C a + 60°C

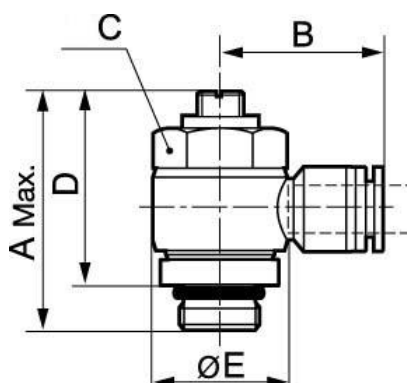
### Material

Polímero y latón níquelado

## Descripción

Referencia	Rosca macho BSPP	Para tubo Ø ext. (mm)
<b>RPV BG0400</b>	G 1/8	4
<b>RPV BG0401</b>	G 1/4	4
<b>RPV BG0600</b>	G 1/8	6
<b>RPV BG0601</b>	G 1/4	6
<b>RPV BG0602</b>	G 3/8	6

Referencia	Rosca macho BSPP	Para tubo Ø ext. (mm)
<b>RPV BG0603</b>	G 1/2	6
<b>RPV BG0800</b>	G 1/8	8
<b>RPV BG0801</b>	G 1/4	8
<b>RPV BG0802</b>	G 3/8	8
<b>RPV BG0803</b>	G 1/2	8
<b>RPV BG1000</b>	G 1/8	10
<b>RPV BG1001</b>	G 1/4	10
<b>RPV BG1002</b>	G 3/8	10
<b>RPV BG1003</b>	G 1/2	10
<b>RPV BG1201</b>	G 1/4	12
<b>RPV BG1202</b>	G 3/8	12
<b>RPV BG1203</b>	G 1/2	12



### Dimensions

Referencia	A mm	B mm	C mm	D mm	E mm
RPV BG0400	30	21.8	10	24	14.5
RPV BG0401	37.5	24	14	31	18.2
RPV BG0600	30	23	10	24	14.5
RPV BG0601	37.5	25.5	14	31	18.2
RPV BG0602	46.5	27.1	19	39	22
RPV BG0603	54.5	30.1	24	45.5	27.4
RPV BG0800	30	24.6	10	24	14.5
RPV BG0801	37.5	26.8	14	31	18.2
RPV BG0802	46.5	28.8	19	39	22
RPV BG0803	54.5	30.5	24	45.5	27.4
RPV BG1000	30	28.5	10	24	14.5
RPV BG1001	37.5	31	14	31	18.2
RPV BG1002	46.5	31	19	39	22
RPV BG1003	54.5	34	24	45.5	27.4
RPV BG1201	37.5	31.8	14	31	18.2

Referencia	A mm	B mm	C mm	D mm	E mm
<b>RPV BG1202</b>	46.5	34	19	39	22
<b>RPV BG1203</b>	54.5	35.8	24	45.5	27.4