

Regulador de caudal macho cilíndrico con moleta bidirec. - RPM

BG



Rosca macho BSPP

G 1/8

Para tubo Ø ext. (mm)

4

Presión de uso

0 a 10 bar

Temperatura

0°C a + 60°C

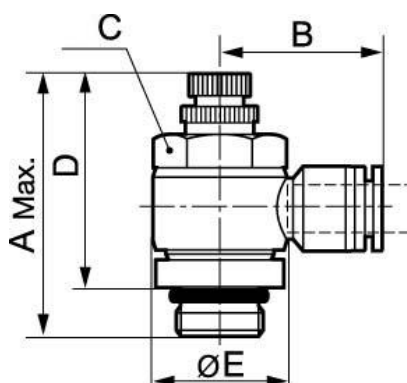
Material

Polímero y latón niquelado

Descripción

Referencia	Rosca macho BSPP	Para tubo Ø ext. (mm)
RPM BG0400	G 1/8	4
RPM BG0401	G 1/4	4
RPM BG0600	G 1/8	6
RPM BG0601	G 1/4	6
RPM BG0602	G 3/8	6
RPM BG0603	G 1/2	6

Referencia	Rosca macho BSPP	Para tubo Ø ext. (mm)
RPM BG0800	G 1/8	8
RPM BG0801	G 1/4	8
RPM BG0802	G 3/8	8
RPM BG0803	G 1/2	8
RPM BG1000	G 1/8	10
RPM BG1001	G 1/4	10
RPM BG1002	G 3/8	10
RPM BG1003	G 1/2	10
RPM BG1201	G 1/4	12
RPM BG1202	G 3/8	12
RPM BG1203	G 1/2	12



Dimensions

Referencia	A mm	B mm	C mm	D mm	E mm
RPM BG0400	42	21.8	10	36	14.5
RPM BG0401	46	24	14	39.5	18.2
RPM BG0600	42	23	10	36	14.5
RPM BG0601	46	25.5	14	39.5	18.2
RPM BG0602	55	27.1	19	47.5	22
RPM BG0603	61	30.1	24	52	27.4
RPM BG0800	42	24.6	10	36	14.5
RPM BG0801	46	26.8	14	39.5	18.2
RPM BG0802	55	28.8	19	47.5	22
RPM BG0803	61	30.5	24	52	27.4
RPM BG1000	42	28.5	10	36	14.5
RPM BG1001	46	31	14	39.5	18.2
RPM BG1002	55	31	19	47.5	22
RPM BG1003	61	34	24	52	27.4
RPM BG1201	46	31.8	14	39.5	18.2
RPM BG1202	55	34	19	47.5	22

Referencia	A mm	B mm	C mm	D mm	E mm
RPM BG1203	61	35.8	24	52	27.4